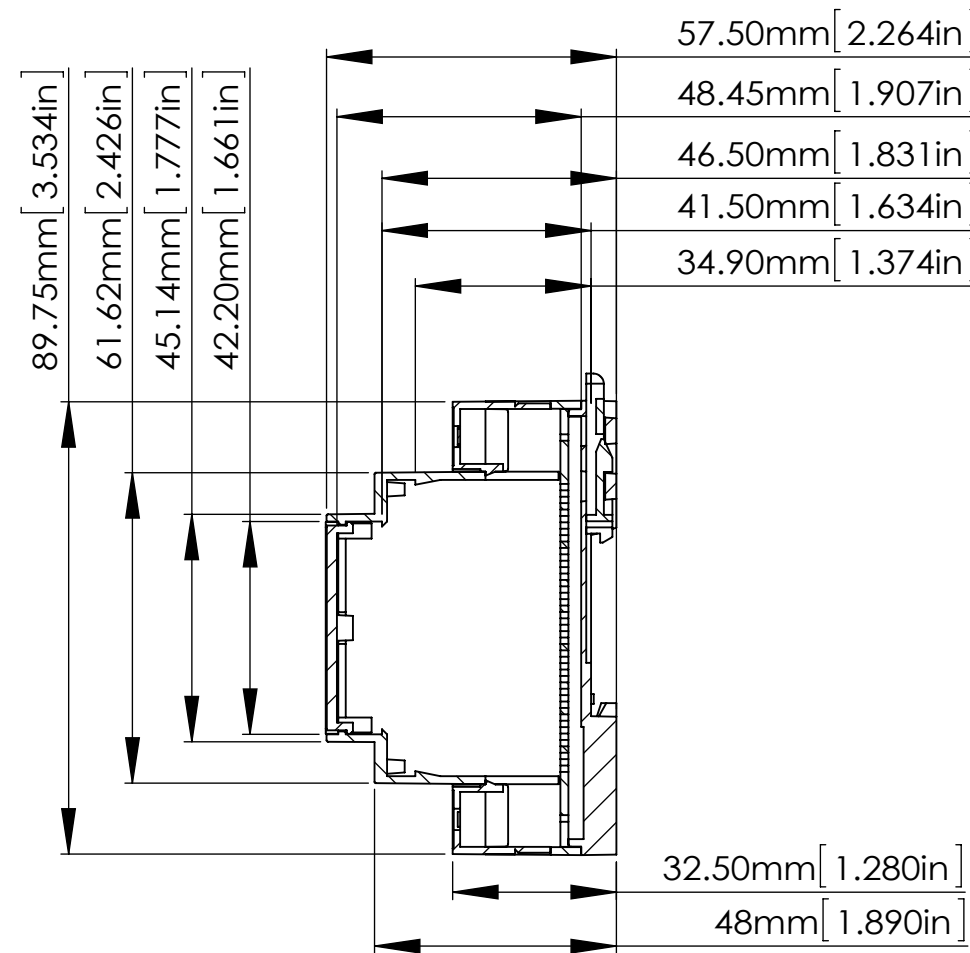
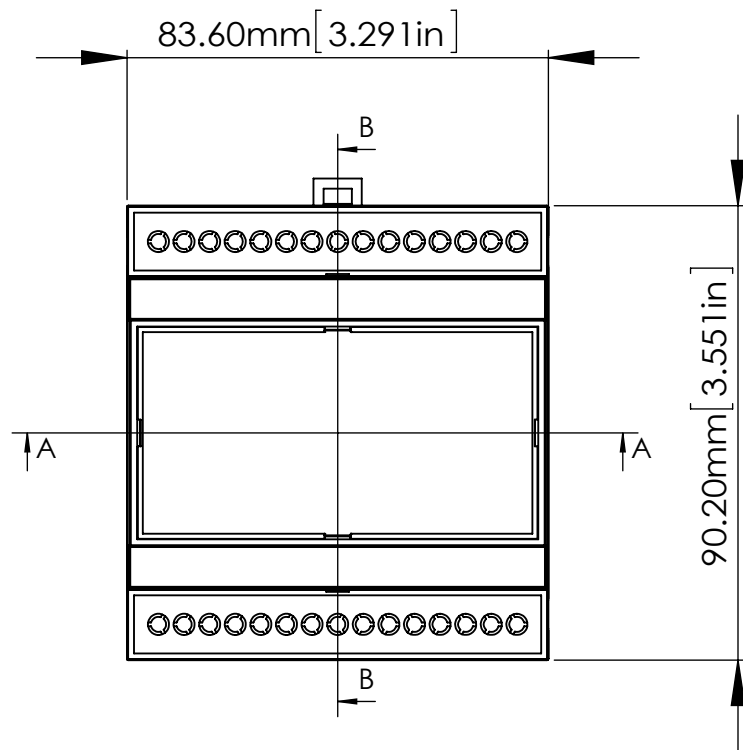
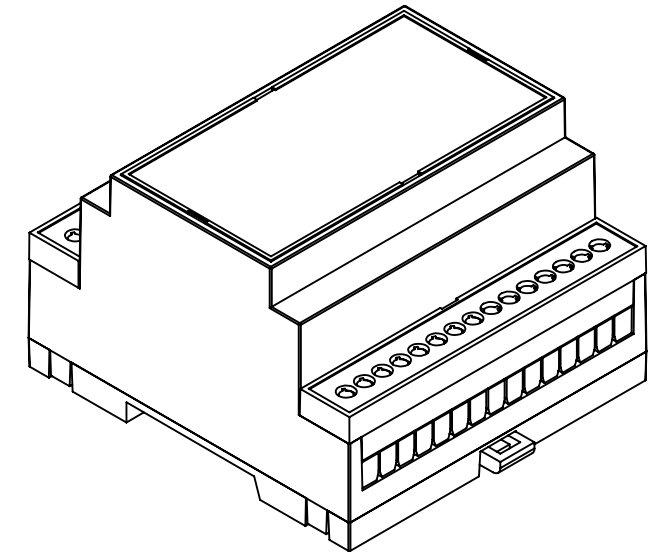


SECTION A-A  
SCALE 2:3



SECTION B-B  
SCALE 2:3



ASSEMBLY

ITEM	DESCRIPTION	MATERIAL	COLOUR	UNIT
1	D5MG-BODY	PC/ABS(UL94-V0)	GREY	1
2	D5MG-BASE	PC/ABS(UL94-V0)	GREY	1
3	D5MG-COVER	PC/ABS(UL94-V0)	GREY	1
4	D5MG-GUARD	PC/ABS(UL94-V0)	GREY	2
5	D5MG-WALL CLIP	NYLON66(UL94-V0)	DARK GREY	1

宣又實業有限公司  
GAINTA INDUSTRIES LTD.

繪圖 DRA'D BY  
JACKY

日期 DATE  
2016/08/22

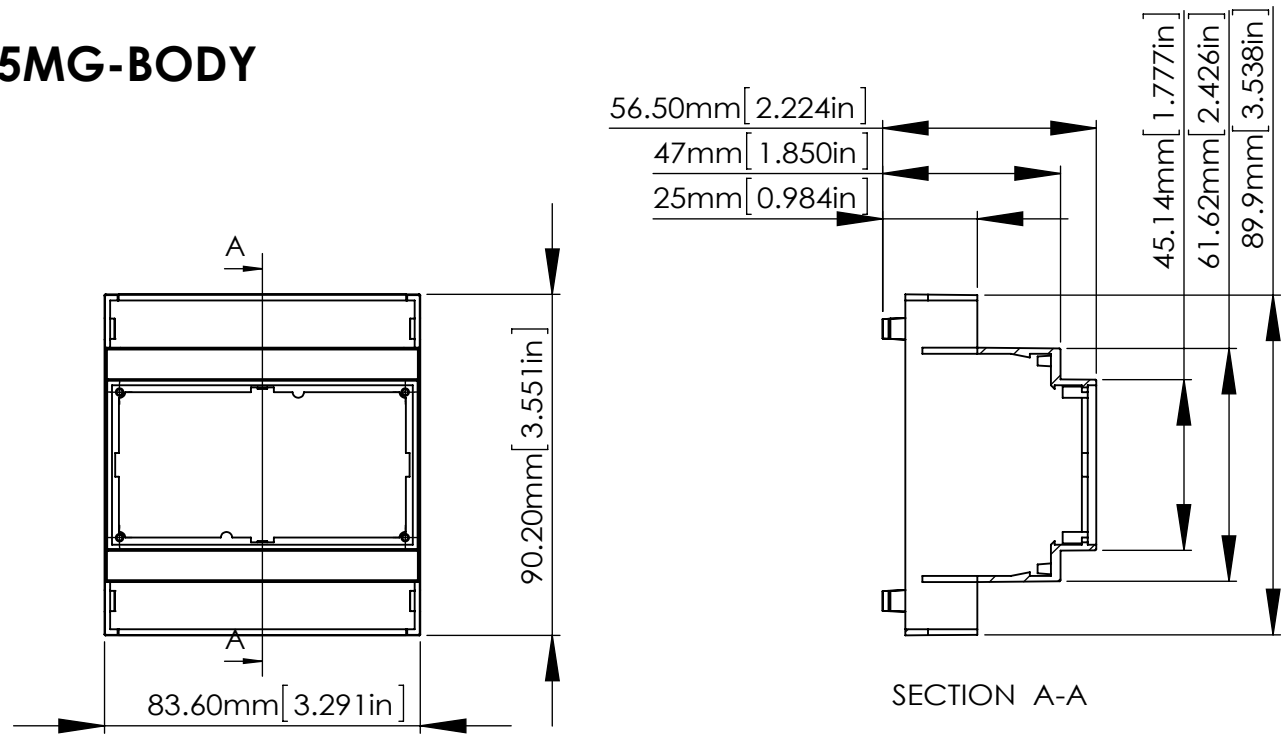
材質 MATE.  
PC/ABS(UL94-V0);  
NYLON66(UL94-V0)

圖名TITLE:  
D5MG-ASSEMBLY

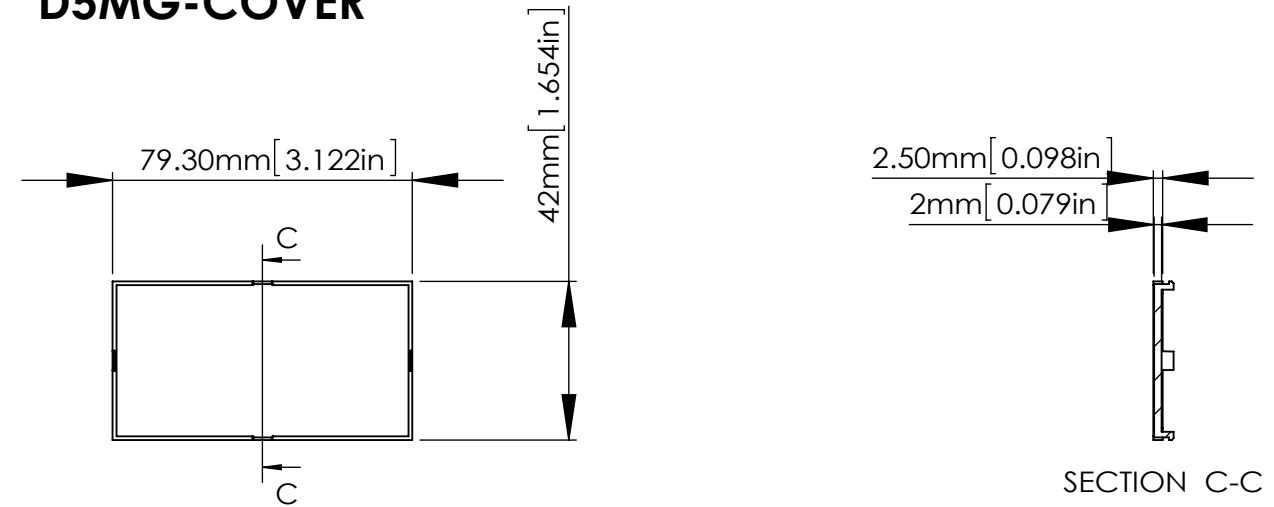
圖號DWG NO:

版次REVISED:  
A

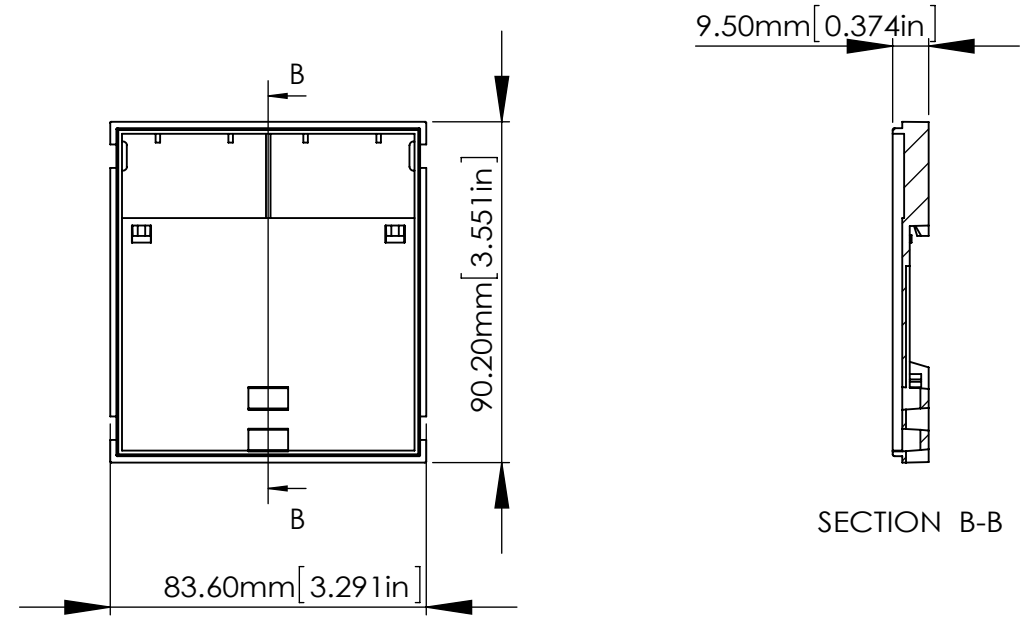
### D5MG-BODY



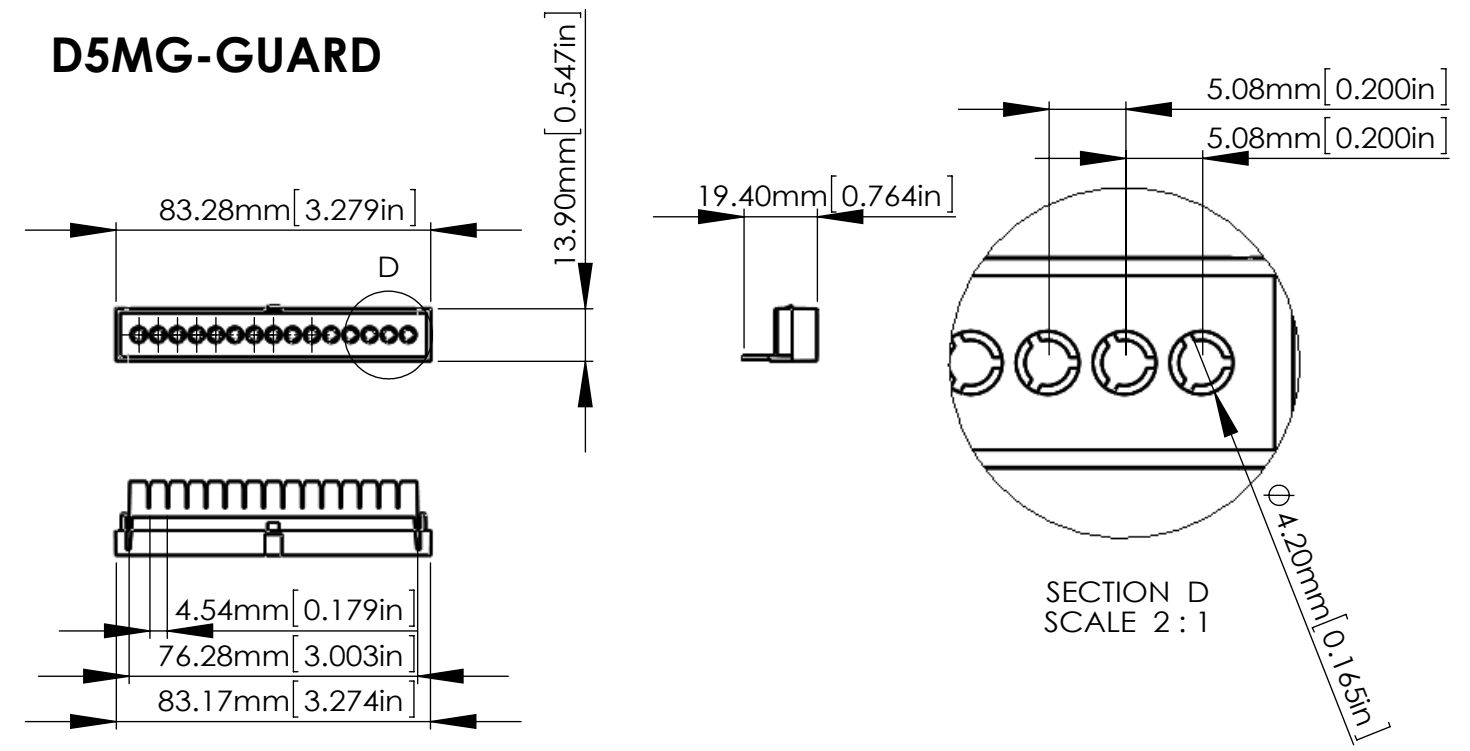
### D5MG-COVER



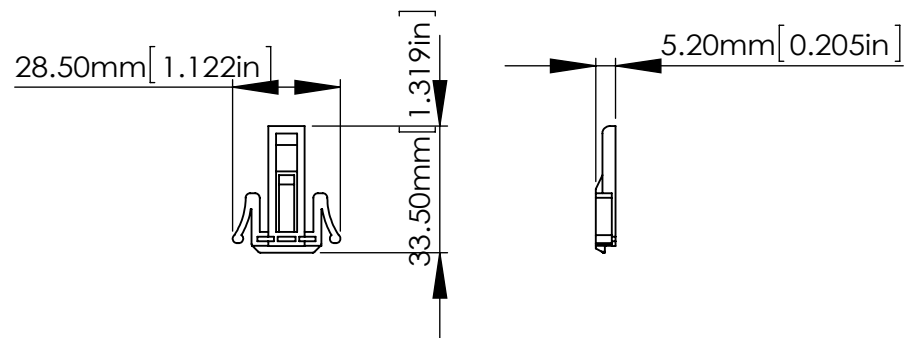
### D5MG-BASE



### D5MG-GUARD



### D5MG-WALL CLIP



宣又實業有限公司  
GAINTA INDUSTRIES LTD.

繪圖 DRA'D BY  
JACKY

日期 DATE  
2016/08/22

材質 MATE.  
PC/ABS(UL94-V0);  
NYLON66(UL94-V0)

圖名TITLE:  
D5MG-PART

圖號DWG NO:

版次REVISED:  
A